



R.A. RODRIGUEZ (UK) LTD

28 Campus Five, Letchworth Business Park, Letchworth, Hertfordshire
SG6 2JF

Phone: 01462 670044 Fax: 01462 670880 Email: info@raruk.com
Web: www.rarodriguez.co.uk

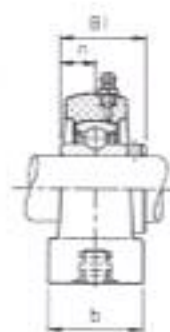
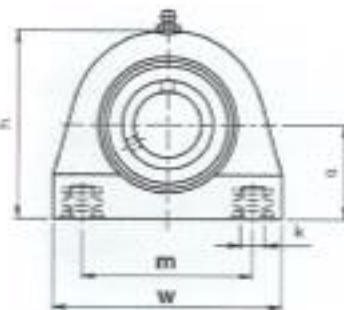
GREENLIGN

PLASTIC HOUSED BEARINGS



- TOUGH PRECISION MOULDED THERMOPLASTIC
- RESISTANT TO CHEMICALS
- EASILY CLEANED SMOOTH SURFACE
- NO COATING OR PLATING TO CRACK OR CHIP
- TO SUIT SHAFT SIZES 12 - 40 MM, 0.75 - 1.25 INS
- ONE OF EIGHT HOUSING TYPES
- STAINLESS STEEL BEARINGS FITTED AS STANDARD
- END COVERS STANDARD
- UCPL EQUIVALENT STAINLESS STEEL HOUSING AVAILABLE
- AVAILABLE WITH ECONOMY INSERT BEARINGS

UCPL



| Ref | Dimensions mm ("inches) | | | | | | | | | | Weight (Kg) |
|------------|-------------------------|------|------|-------|------|------|-----|------|------|------|----------------|
| | d | a | b | h | m | w | k | Bi | n | | |
| UCPL201 | 12 | 33.3 | 34.5 | 66 | 50.8 | 72.8 | M8 | 31 | 12.7 | 0.38 | |
| UCPL202 | 15 | 33.3 | 34.5 | 66 | 50.8 | 72.8 | M8 | 31 | 12.7 | 0.37 | |
| UCPL203 | 17 | 33.3 | 34.5 | 66 | 50.8 | 72.8 | M8 | 31 | 12.7 | 0.36 | |
| UCPL204 | 20 | 33.3 | 34.5 | 66 | 50.8 | 72.8 | M8 | 31 | 12.7 | 0.35 | |
| UCPL204-12 | 0.75" | 33.3 | 34.5 | 66 | 50.8 | 72.8 | M8 | 31 | 12.7 | 0.35 | |
| UCPL205 | 25 | 36.5 | 39.5 | 73.5 | 50.8 | 76.2 | M10 | 34 | 14.3 | 0.4 | |
| UCPL205-16 | 1" | 36.5 | 39.5 | 73.5 | 50.8 | 76.2 | M10 | 34 | 14.3 | 0.4 | |
| UCPL206 | 30 | 42.9 | 42.5 | 84 | 76.2 | 101 | M10 | 38.1 | 15.9 | 0.55 | |
| UCPL207 | 35 | 47.6 | 47.5 | 95 | 82.6 | 110 | M10 | 42.9 | 17.5 | 0.8 | |
| UCPL207-20 | 1.25" | 47.6 | 47.5 | 95 | 82.6 | 110 | M10 | 42.9 | 17.5 | 0.8 | |
| UCPL208 | 40 | 49.2 | 48 | 100.5 | 88.9 | 120 | M12 | 49.2 | 19 | 0.95 | |

