



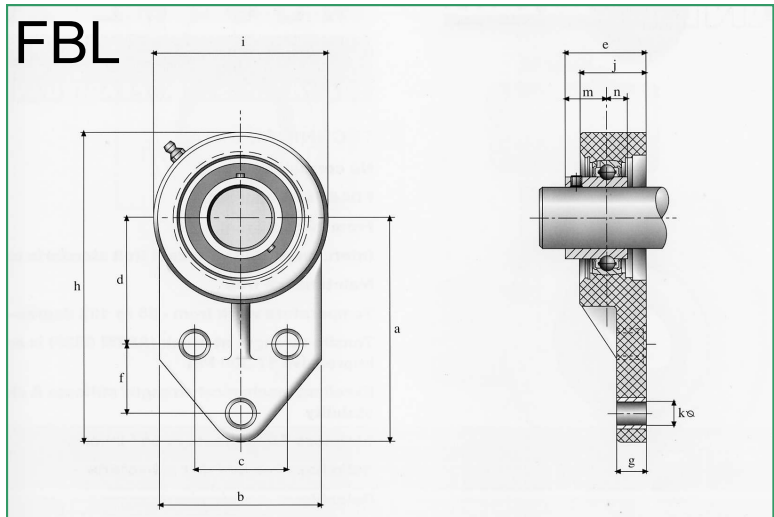
R.A. RODRIGUEZ (UK) LTD

14 Old Bridge Way, Shefford, Bedfordshire,
SG17 5HQ

Phone: 01462 670044 Email: info@raruk.com
Web: www.rarodriguez.co.uk

GREENLIGN PLASTIC HOUSED BEARINGS

- TOUGH PRECISION MOULDED THERMOPLASTIC
- RESISTANT TO CHEMICALS
- EASILY CLEANED SMOOTH SURFACE
- NO COATING OR PLATING TO CRACK OR CHIP
- TO SUIT SHAFT SIZES 12 - 35 MM, 0.75 - 1.25 INS
- ONE OF EIGHT HOUSING TYPES
- STAINLESS STEEL BEARINGS FITTED AS STANDARD
- END COVERS STANDARD
- AVAILABLE WITH ECONOMY INSERT BEARINGS



Ref	shaft dia	Dimensions mm ("inches)													Bolt Dia	Weight (Kg)
		a	b	c	d	e	f	g	h	i	j	k	m	n		
FBL201	12	76.2	62	38.1	42.9	33.7	22.2	11.4	108	63.5	26.5	10.7	18.3	12.7	M10	0.28
FBL202	15	76.2	62	38.1	42.9	33.7	22.2	11.4	108	63.5	26.5	10.7	18.3	12.7	M10	0.26
FBL203	17	76.2	62	38.1	42.9	33.7	22.2	11.4	108	63.5	26.5	10.7	18.3	12.7	M10	0.25
FBL204	20	76.2	62	38.1	42.9	33.7	22.2	11.4	108	63.5	26.5	10.7	18.3	12.7	M10	0.25
FBL204-12	0.75"	76.2	62	38.1	42.9	33.7	22.2	11.4	108	63.5	26.5	10.7	18.3	12.7	M10	0.25
FBL205	25	85.7	63.5	41.3	46	41.2	28.6	11.4	120.6	70	34	10.7	19.7	14.3	M10	0.30
FBL205-16	1"	85.7	63.5	41.3	46	41.2	28.6	11.4	120.6	70	34	10.7	19.7	14.3	M10	0.30
FBL206	30	96.5	76	47.6	52.4	41.5	31.8	13.3	138.5	83	32	10.7	22.2	15.9	M10	0.46
FBL207	35	109.5	89	50.8	60.3	47.1	31.8	16.1	157	95	36.5	13.1	25.4	17.5	M12	0.66
FBL207-20	1.25"	109.5	89	50.8	60.3	47.1	31.8	16.1	157	95	36.5	13.1	25.4	17.5	M12	0.66

