



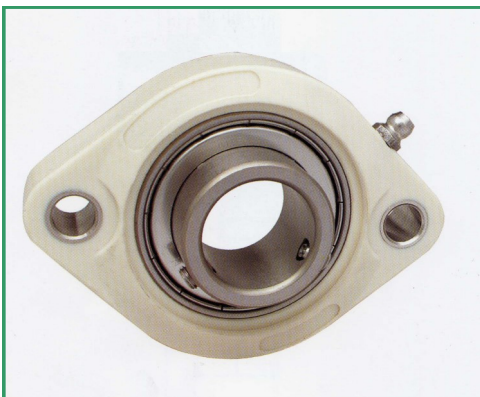
R.A. RODRIGUEZ (UK) LTD

14 Old Bridge Way, Shefford, Bedfordshire,
SG17 5HQ

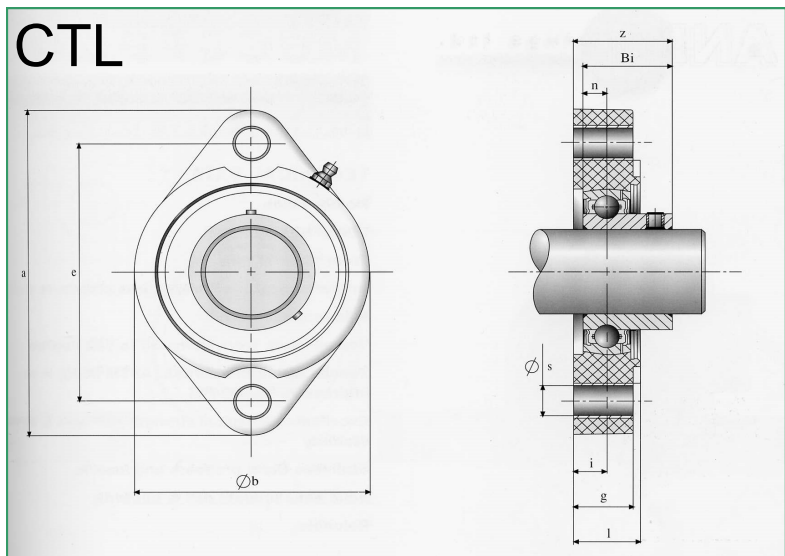
Phone: 01462 670044 Email: info@raruk.com
Web: www.rarodriguez.co.uk

GREENLIGN PLASTIC HOUSED BEARINGS

- TOUGH PRECISION MOULDED THERMOPLASTIC
- RESISTANT TO CHEMICALS
- EASILY CLEANED SMOOTH SURFACE
- NO COATING OR PLATING TO CRACK OR CHIP
- TO SUIT SHAFT SIZES 20-40 MM
- BRAND NEW - NINTH HOUSING TYPE
- STAINLESS STEEL BEARINGS FITTED AS STANDARD
- AVAILABLE WITH ECONOMY INSERT BEARINGS
- END COVERS STANDARD



CTL



Ref	Dimensions mm ("inches)											Weight (Kg)
	d	a	e	b	g	l	s	z	Bi	n	i	
CTL204	20	90.5	71.4	66.5	18.4	20	9	27	24.7	7	9.5	0.17
CTL205	25	97	76.2	71	18.4	21.2	9	29.5	27	7.5	10	0.22
CTL206	30	112.5	90.5	84	20.5	23.2	11	33.5	30.3	8	11.5	0.34
CTL207	35	126	100	94	22.5	25.3	11	36.5	32.9	8.5	12.5	0.49
CTL208	40	150	119	100	24	26.8	14	39.5	35.5	9	13.5	0.62

